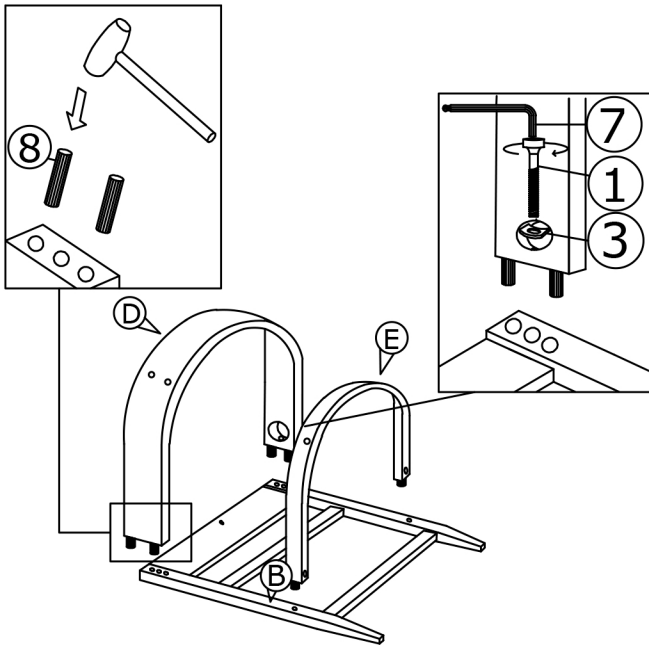
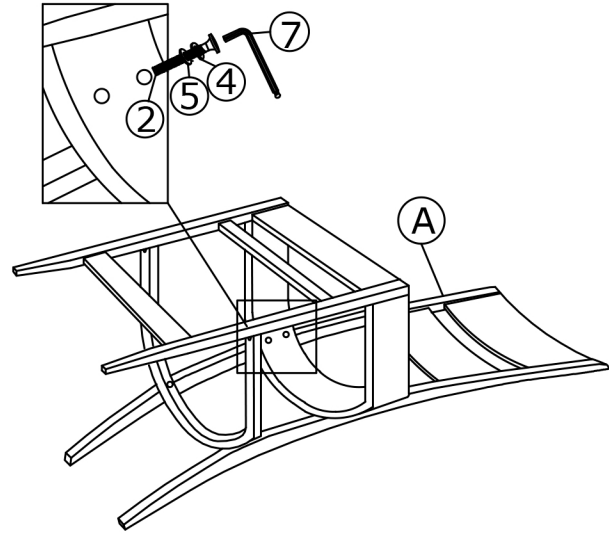


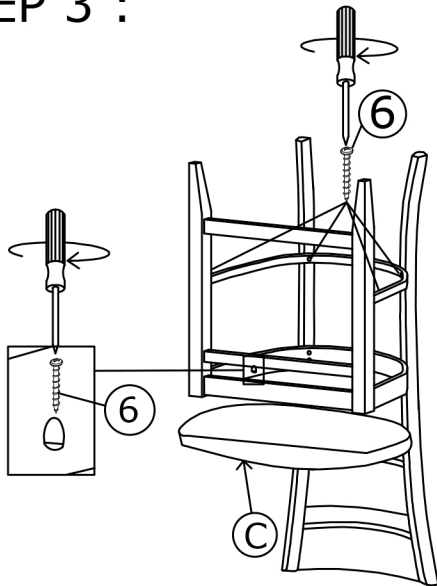
## STEP 1 :



## STEP 2 :



## STEP 3 :



Grace Bar  
GastroYou  
RESTAURANT • HOTEL • BAR

**CAUTION**  
KEEP ALL THE PARTS OUT OF REACH OF CHILDREN.

ITEM	HARDWARE LIST		QTY	Spare Qty
1	JCCA BOLT M6 X 60MM		2	1
2	JCBC BOLT M6 X 40MM		4	1
3	BEND WASHER		2	1
4	SPRING WASHER 5/16"		4	1
5	FLAT WASHER		4	1
6	PH M4 X 32MM (BLACK)		8	2
7	ALLEN KEY M4 (BALL SHAPE)		1	
8	WOOD DOWEL M8 X 35MM		4	1

ITEM	PART LIST	QTY
A	CHAIR BACK 	1
B	FRONT LEG 	1
C	CHAIR SEAT 	1
D	U' FRAME SUPPORT BAR 	1
E	U' RAIL BAR 	1